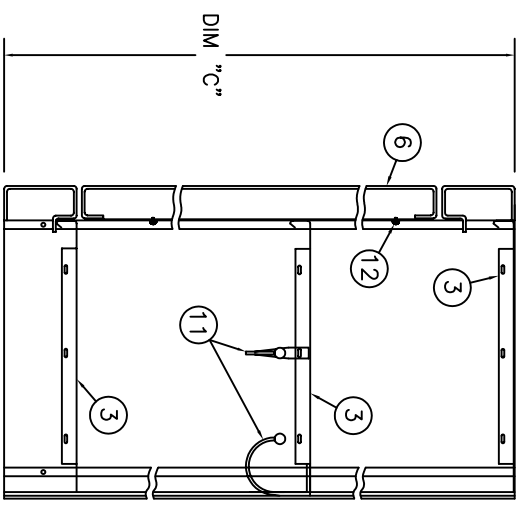
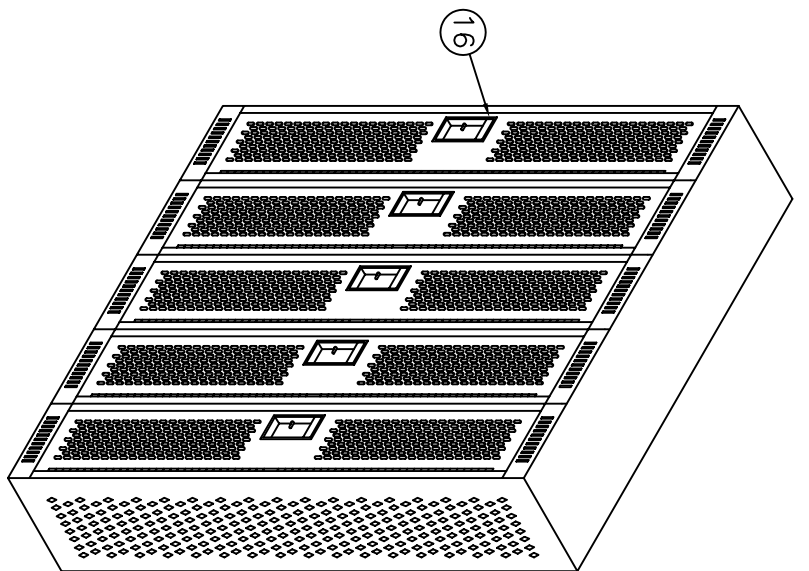
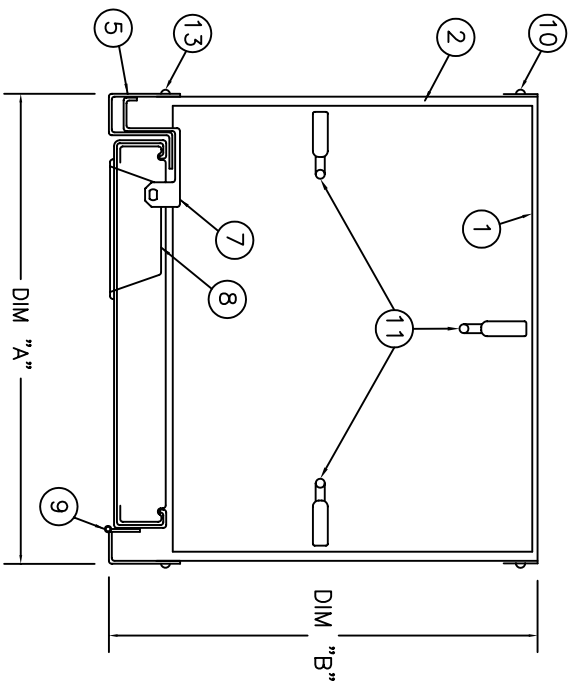


MOD-U-VENT FLUSH DOOR LOCKER PARTS

NO.	DESCRIPTION	GAUGE
1	BACK PANEL	16
2	SIDE PANEL (REVERSIBLE)	16
3	TOP, BOTTOM & HAT SHELF	16
4	DOOR STRIKE FRAME	16
5	DOOR (LINER 22 GAUGE)	16
6	HASP	12
7	STAINLESS STEEL POCKET	16
8	CONTINUOUS HINGE & FRAME	16
9	RIVET	
10	COAT HOOK	
11	DOOR BUMPER - 2 PER DOOR	
12	#8 x 5/8" BOLT & NUT	
13		
14		
15		
16	NUMBER PLATE & DOOR PULL	
EXTRA & SPECIAL PARTS		
27		
28		
DIM "A"	DIM "B"	DIM "C"



GSS
 GENERAL STORAGE SYSTEMS
 2995 PAGE STREET, LONDON
 ONTARIO, CANADA, N5V 4P6
 PHONE: (519) 453-5910
 FAX: (519) 455-0037
 P.O. BOX 583, O'FALLON
 MISSOURI, U.S.A. 63366
 PHONE: (314) 517-6975
 FAX: (636) 379-0088

PROJECT:	
STYLE:	TYPICAL SINGLE TIER MOD-U-VENT LOCKER
CUSTOMER:	
QUOTE NO:	
ARCH/ENG/CONT:	
REVISION NO:	
DATE:	MARCH 30, 2006
SCALE:	NOT TO SCALE
DESIGNED BY:	
APPROVED BY:	
DRAWN BY:	
DRAWING No.:	
SHEET	1 OF 1

DIMENSIONS MUST NOT BE SCALED,
 ALL MEASUREMENTS MUST BE
 CHECKED AND VERIFIED AND ALL
 ERRORS SHALL BE REPORTED TO GSS
 PRIOR TO PROCEEDING WITH JOB.
 ALL PRINTS OF SPECIFICATIONS AND
 PLANS ARE THE PROPERTY OF
 GENERAL STORAGE SYSTEMS MFG LTD
 AND NOT TO BE COPIED OR USED
 WITHOUT WRITTEN PERMISSION.