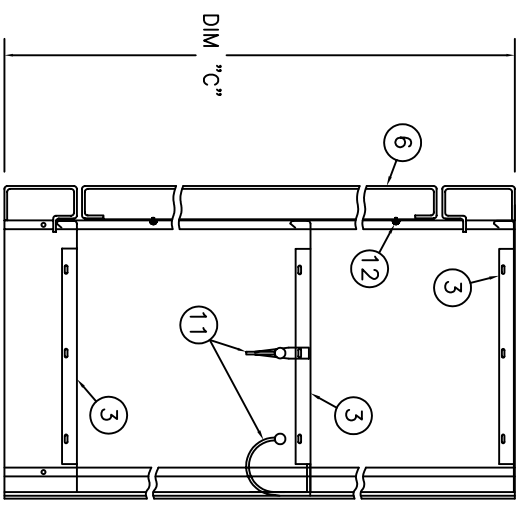
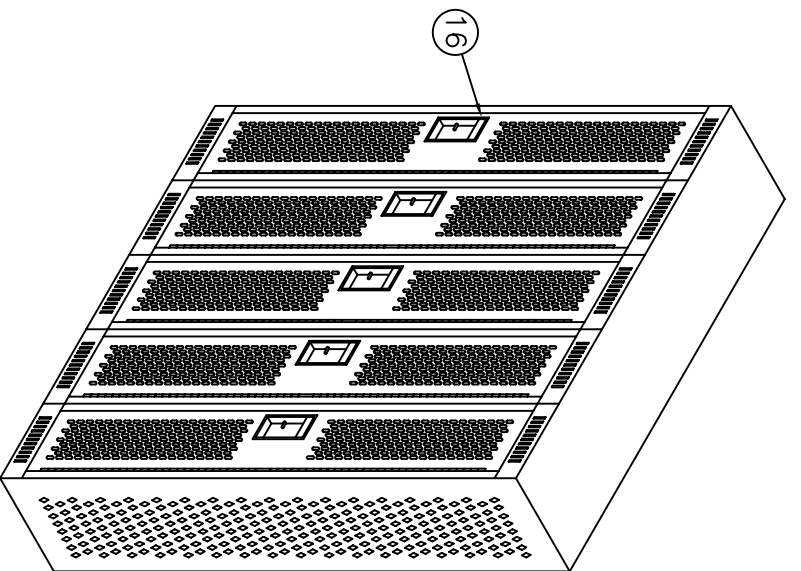
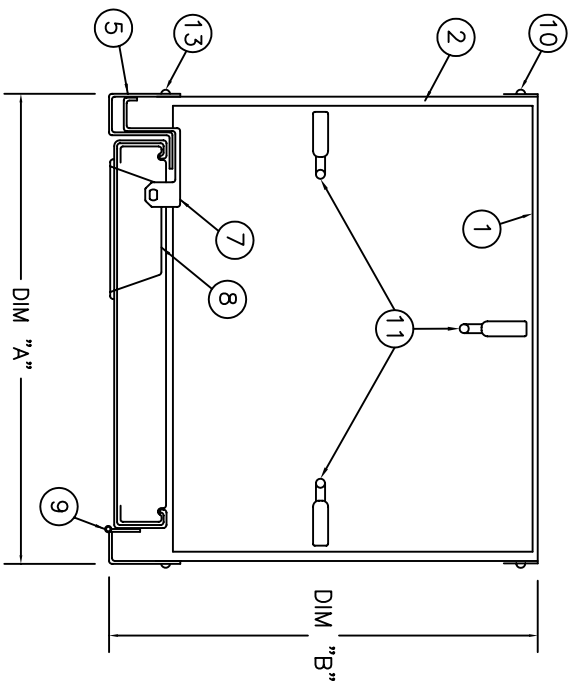


MOD-U-VENT II FLUSH DOOR LOCKER PARTS

NO.	DESCRIPTION	GAUGE
1	BACK PANEL	16
2	SIDE PANEL (REVERSIBLE)	16
3	TOP, BOTTOM & HAT SHELF	16
4	DOOR STRIKE FRAME	16
5	DOOR (LINER 22 GAUGE)	14
6	HASP	12
7	STAINLESS STEEL POCKET	16
8	CONTINUOUS HINGE & FRAME	
9	RIVET	
10	COAT HOOK	
11	DOOR BUMPER - 2 PER DOOR	
12	#8 x 5/8" BOLT & NUT	
13		
14		
15		
16	NUMBER PLATE & DOOR PULL	
EXTRA & SPECIAL PARTS		
27		
28		
	DIM "A"	DIM "B"
		DIM "C"



GSS
GENERAL STORAGE SYSTEMS

2995 PAGE STREET, LONDON
ONTARIO, CANADA, N5V 4P6
PHONE: (519) 453-5910
FAX: (519) 455-0037

P.O. BOX 583, O'FALLON
MISSOURI, U.S.A. 63366
PHONE: (314) 517-6975
FAX: (636) 379-0088

PROJECT:

STYLE:
TYPICAL SINGLE TIER
MOD-U-VENT II LOCKER

CUSTOMER:

QUOTE NO:

ARCH/ENG/CONT:

REVISION NO:

DATE: MARCH 30, 2006

SCALE: NOT TO SCALE

DESIGNED BY:

APPROVED BY:

DRAWN BY:

DRAWING No.:

SHEET 1 OF 1

DIMENSIONS MUST NOT BE SCALED,
ALL MEASUREMENTS MUST BE
CHECKED AND VERIFIED AND ALL
ERRORS SHALL BE REPORTED TO GSS
PRIOR TO PROCEEDING WITH JOB.

ALL PRINTS OF SPECIFICATIONS AND
PLANS ARE THE PROPERTY OF
GENERAL STORAGE SYSTEMS MFG LTD
AND NOT TO BE COPIED OR USED
WITHOUT WRITTEN PERMISSION.