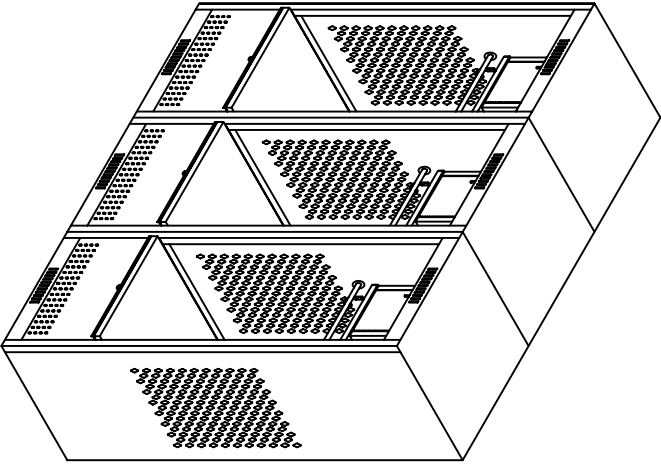
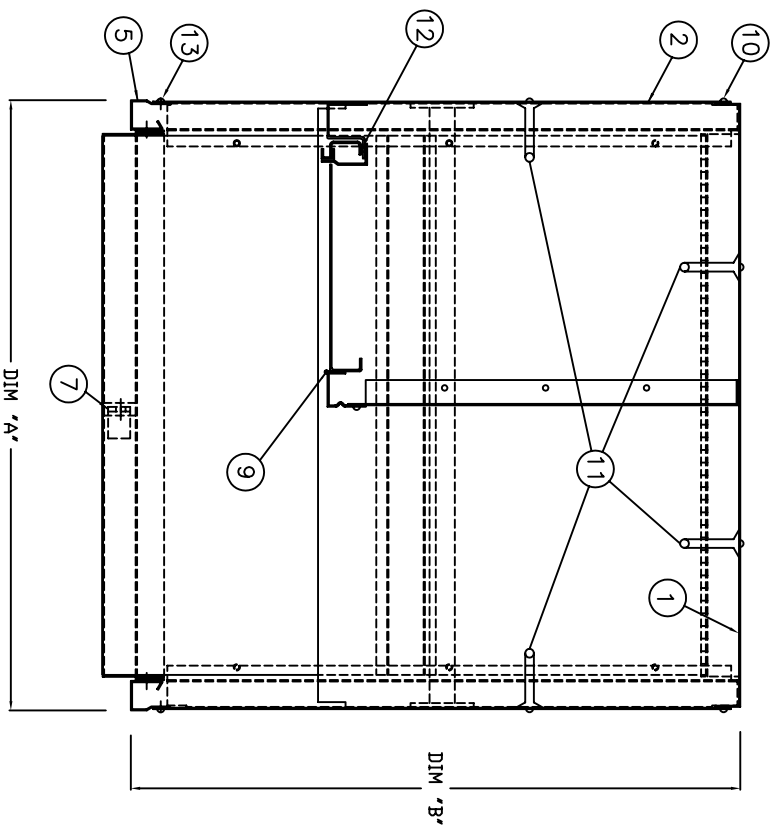
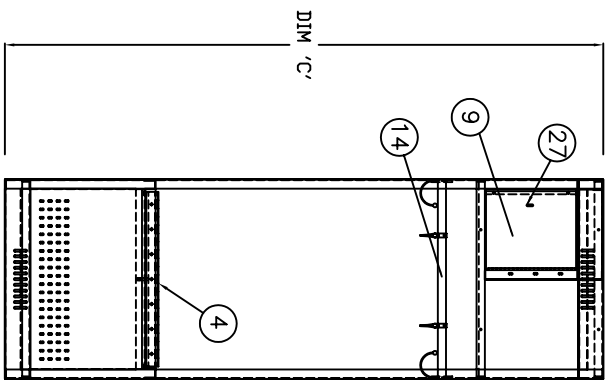


DECOR TRI-LOK ACROPOLIS TEAM ROOM LOCKER



NO.	DESCRIPTION	GAUGE
1	BACK PANEL	16
2	SIDE PANEL (REVERSIBLE)	16
3	TOP, BOTTOM & HAT SHELF	16
4	SEAT WITH 2 - 16G ^o REINFORCED CHANNELS	16
5	DOOR STRIKE FRAME	16
6	DOOR (SINGLE PAN)	16
7	FOR LOCK-UP BOX CONFIGURATION HASP	3/16" THICK
8		
9	CONTINUOUS HINGE & FRAME FOR LOCK-UP BOX CONFIGURATION	16
10	RIVET	
11	COAT HOOK (4 PER LOCKER) FOR LOCK-UP BOX CONFIGURATION	
12	DOOR BUMPER - 2 PER DOOR	
13	#8 x 5/8" BOLT & NUT	
14	CHROME PLATED COAT ROD (OPTIONAL)	
15		
16	NUMBER PLATE & DOOR PULL	
	EXTRA & SPECIAL PARTS	
27	PADLOCK OR CYLINDER LOCK LOCK-UP	
28		



2995 PAGE STREET, LONDON
ONTARIO, CANADA, N5V 4P6
PHONE: (519) 453-5910
FAX: (519) 455-0037

P.O. BOX 583, O'FALLON
MISSOURI, U.S.A. 63366
PHONE: (314) 517-6975
FAX: (636) 379-0088

PROJECT:
STYLE:
DECOR TRI-LOK
ACROPOLIS LOCKER

CUSTOMER:
QUOTE NO:
ARCH/ENG/CONT:

REVISION NO: OCTOBER 13, 2006
SCALE: NOT TO SCALE

DESIGNED BY:
APPROVED BY:
DRAWN BY:
DRAWING NO:

SHEET 1 OF 1
DIMENSIONS MUST NOT BE SCALED.
ALL MEASUREMENTS MUST BE CHECKED
AND VERIFIED AND ALL ERRORS SHALL
BE REPORTED TO GSS PRIOR TO
PROCEEDING WITH JOB.

ALL PRINTS OF SPECIFICATIONS AND
PLANS ARE THE PROPERTY OF
GENERAL STORAGE SYSTEMS, INC.
AND NOT TO BE COPIED OR USED
WITHOUT WRITTEN PERMISSION.